



SERVING THE FOOD INDUSTRY SINCE 1951

Countertop Display Warmers

Items:	47454	47455	47456
Models:	DW-CN-0120-E	DW-CN-0160-E	DW-CN-0202-E



47454



47455



47456

Boost sales while keep your food hot with Omcan Countertop Display Warmers.

These Omcan countertop display warmers are perfect for keeping pre-made hot foods like hot dogs, burritos, and sandwiches. Ideal for convenience stores, snack bars, and concession stands, these warmers feature rear sliding doors and appealing internal LED lights to entice customers to serve themselves, while also enabling staff to replenish shelves from behind the counter.

KEY FEATURES

- ✓ Eye catching internal LED lighting
- ✓ Temperatures display
- ✓ Front curved glass
- ✓ Digital adjustable temperature controller
- ✓ Comes with chrome plated shelves
- ✓ Easy access to sliding rear doors

Telephone: 1-800-465-0234

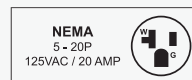
Fax: (905) 607-0234

Email: sales@omcan.com

Website: www.omcan.com



Authorized Dealer

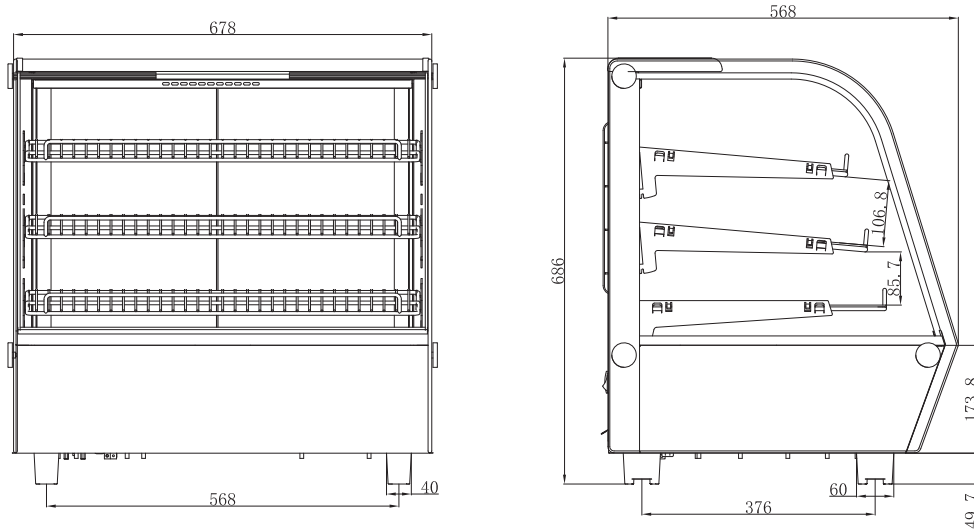


TECHNICAL SPECIFICATION

Features	27" Width	34" Width	48" Width
Items	47454	47455	47456
Models	DW-CN-0120-E	DW-CN-0160-E	DW-CN-0202-E
Electrical	115V / 60Hz / 1Ph		
Temperature Range	30 - 82.2°C (86 - 180°F)		
Capacity	4.24 cu. ft. (120 L)	5.65 cu. ft. (160 L)	7.14 cu. ft. (202 L)
Shelf Load Capacity	33.1 lbs. (15 kg)		
Power	1800W		
Shelf Dimensions	Top: 25" x 13.2" (635 x 335 mm) Middle: 25" x 14.4" (635 x 365 mm) Bottom: 25" x 15.7" (635 x 398 mm)	Top: 32" x 13.2" (812 x 335 mm) Middle: 32" x 14.4" (812 x 365 mm) Bottom: 32" x 15.7" (812 x 398 mm)	Top: 45.9" x 13.2" (1165 x 335 mm) Middle: 45.9" x 14.4" (1165 x 365 mm) Bottom: 45.9" x 15.7" (1165 x 398 mm)
Net Dimensions (WDH)	26.7" x 22.4" x 26.4" (678 x 568 x 670 mm)	33.7" x 22.4" x 26.4" (856 x 568 x 670 mm)	48" x 22.4" x 26.4" (1219 x 568 x 670 mm)
Gross Dimensions (WDH)	29.5" x 25.5" x 29.6" (749 x 647 x 751 mm)	36.5" x 25.5" x 29.6" (927 x 647 x 751 mm)	50.8" x 25.5" x 29.6" (1290 x 647 x 751 mm)
Net Weight	77 lbs. (34.9 kg)	94 lbs. (42.6 kg)	124 lbs. (56.2 kg)
Gross Weight	83 lbs. (37.6 kg)	100 lbs. (45.4 kg)	130 lbs. (59 kg)

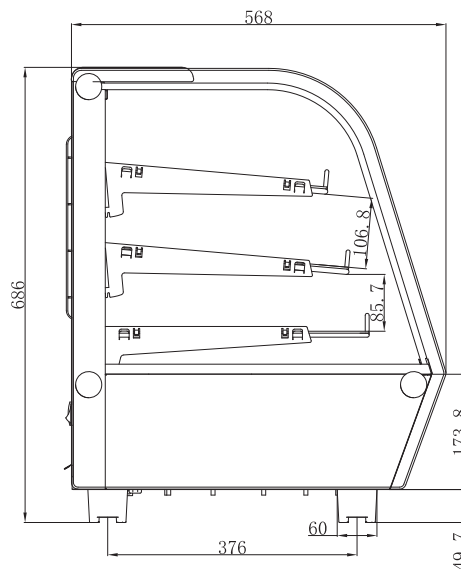
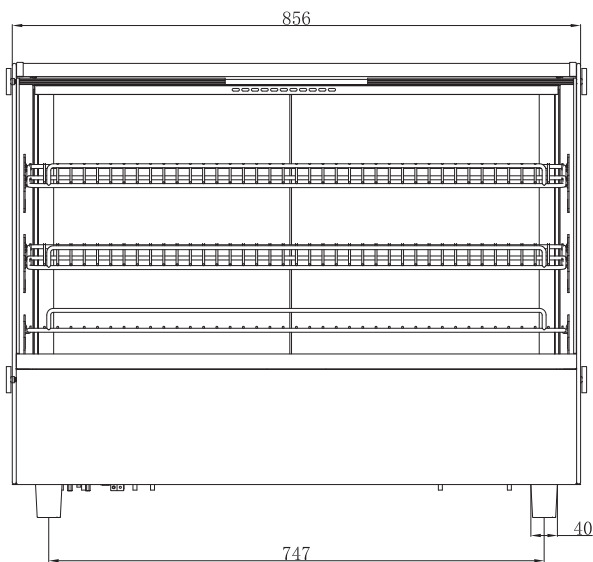
TECHNICAL DRAWINGS

47454



TECHNICAL DRAWINGS

47455



47456

